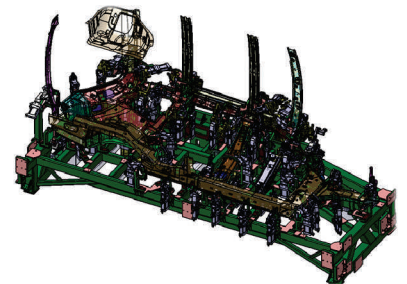
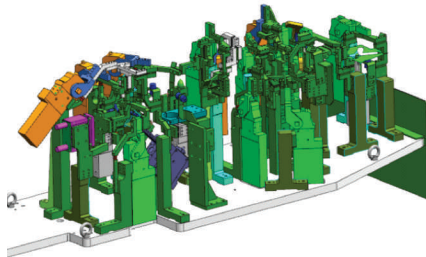
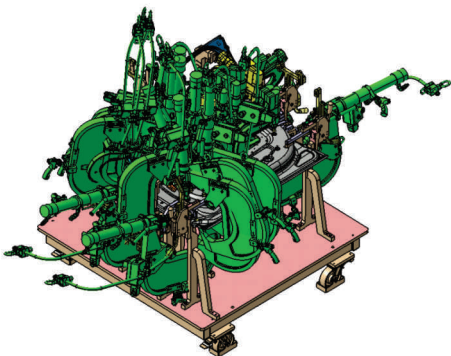
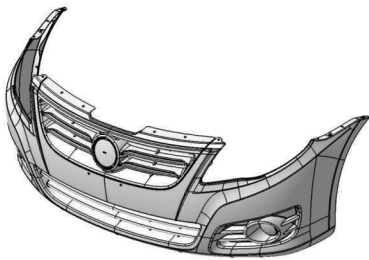




# HIVEC RHINO

## HIVEC RHINO TECHNOLOGIES PVT LTD

Empowered Engineering Solution



## ABOUT HIVEC RHINO

HRT has been providing end to end engineering design services and solutions for various domains since 2013 with the support of our technical expertise. HRT is expertise in Japanese Technology and Development Systems. Our energetic and dynamic quality provides various streams of CAD/CAM services.

Our Engineering Design & Development solution combines innovations and manufacturing abilities. Hivec Rhino has collaborated with Hivec Inc. Japan at various levels.

## OUR SERVICES

Legacy Data  
Conversation

Concept design  
with HIVEC Inc.

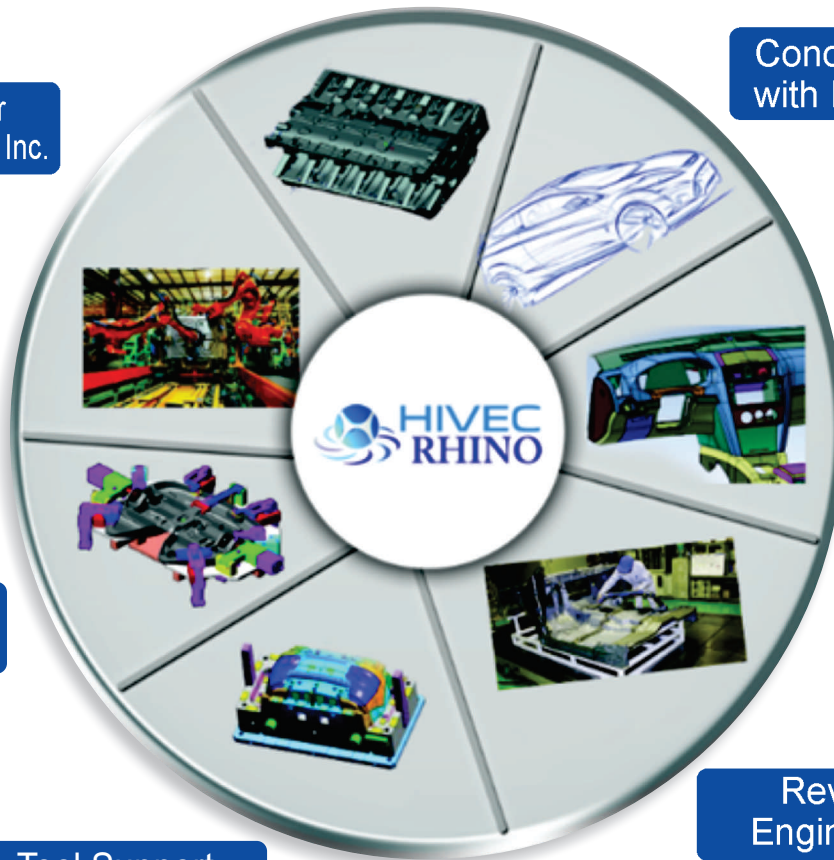
Technical Support for  
Production With HIVEC Inc.

Product Design  
Development

Jigs & Fixture  
Design

Reverse  
Engineering

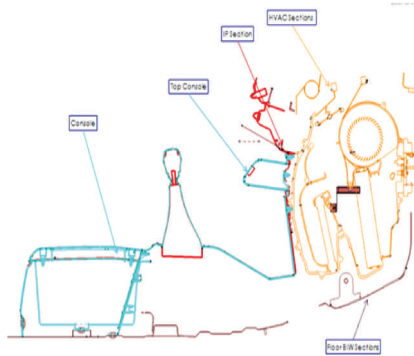
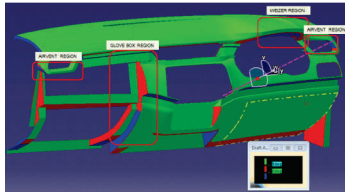
Tool Support  
& Mold Correction



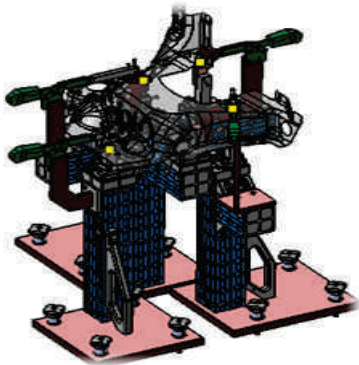
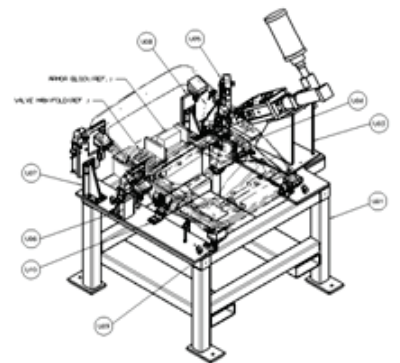
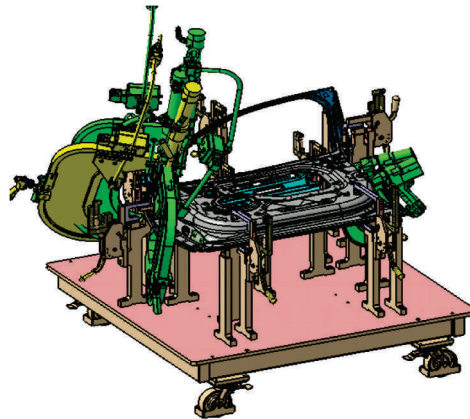
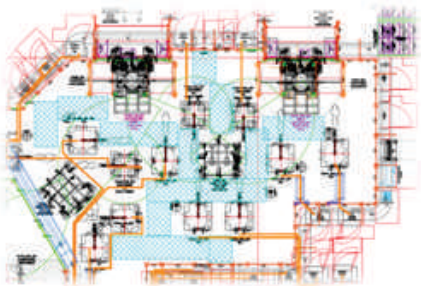
## OUR KEY DOMAIN AREAS

### 1. AUTOMOTIVE PLASTIC PRODUCT DESIGN & DEVELOPMENT

Interior Trims and Exterior Trims



### 2. BIW - WELDING FIXTURE DESIGN



## FACILITY LOCATIONS

### DESIGN CENTER INDIA

#### HIVEC RHINO TECHNOLOGIES PVT LTD

Plot number 2 & 3, Vellanthangal village,  
Opp. to SIPCOT arch, Irrunkattukottai,  
Sriperumbudur, Chennai – 602105,  
Tamilnadu, India.

Phone : +91-9790013671

Web : <http://www.hivecrhino.com>



### HEAD OFFICE JAPAN

#### HIVEC INC.

Main design Center:

2-1-21, Nishi - osawa,  
Higashi - Hiroshima,  
Japan 739-0037.

Phone : +81-82-490-0700

Web : <http://www.hivec.com>



### DESIGN CENTER INDONESIA

Jl. Inti I Blok C 1 No.7  
Cikarang Technopark Building  
3A Floor, Cibatu, Cikarang Selatan,  
Cibatu, Cikarang Sel.,  
Bekasi,  
Jawa Barat 17530, Indonesia.  
Phone : +62 21 89905640  
Web : <http://www.hivecindonesia.com>

